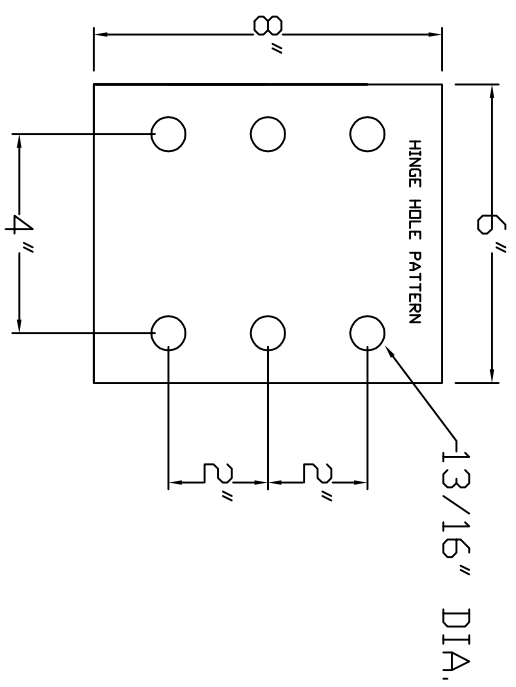
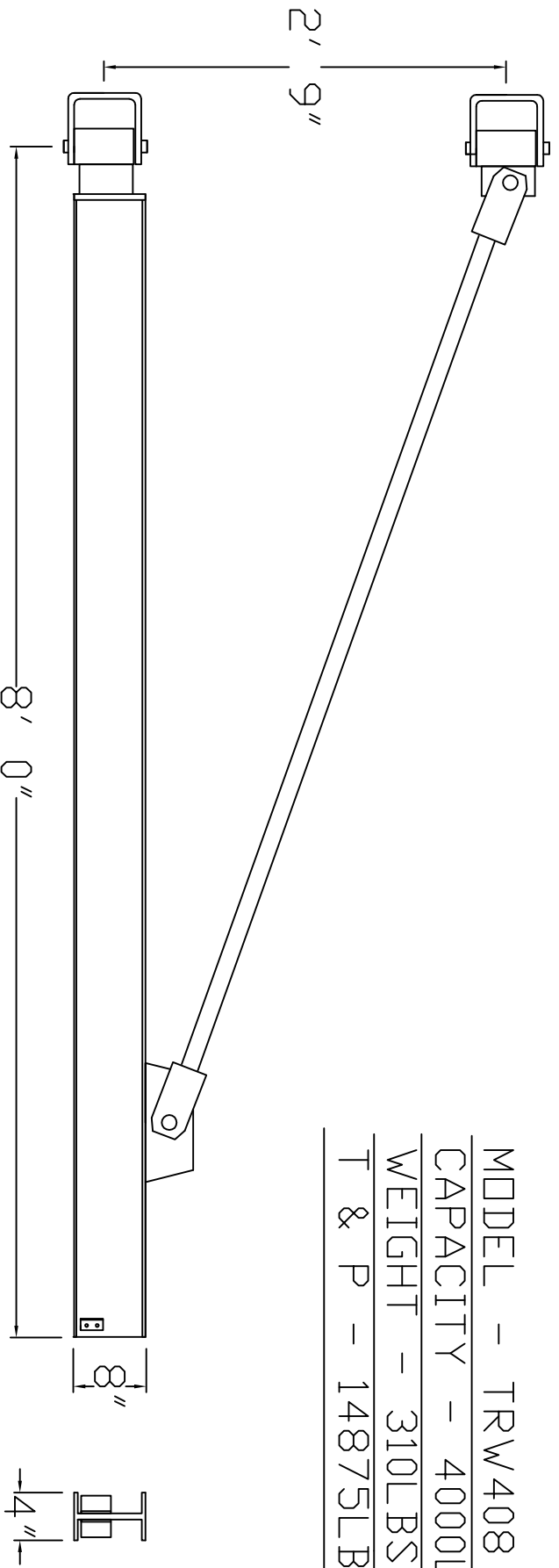


MODEL - TRW408
 CAPACITY - 4000LBS
 WEIGHT - 310LBS
 T & P - 14875LBS



ADEQUACY OF MOUNTING SURFACE DETERMINED BY OTHERS. MOUNTING BOLTS NOT INCLUDED. USE GRADE 5 DR BETTER BOLTS. WEIGHTS ARE ESTIMATED.



2127 W. NORDALE DR. APPLETON, WI 54914
 PH - 920-380-0397 FAX - 920-380-0845